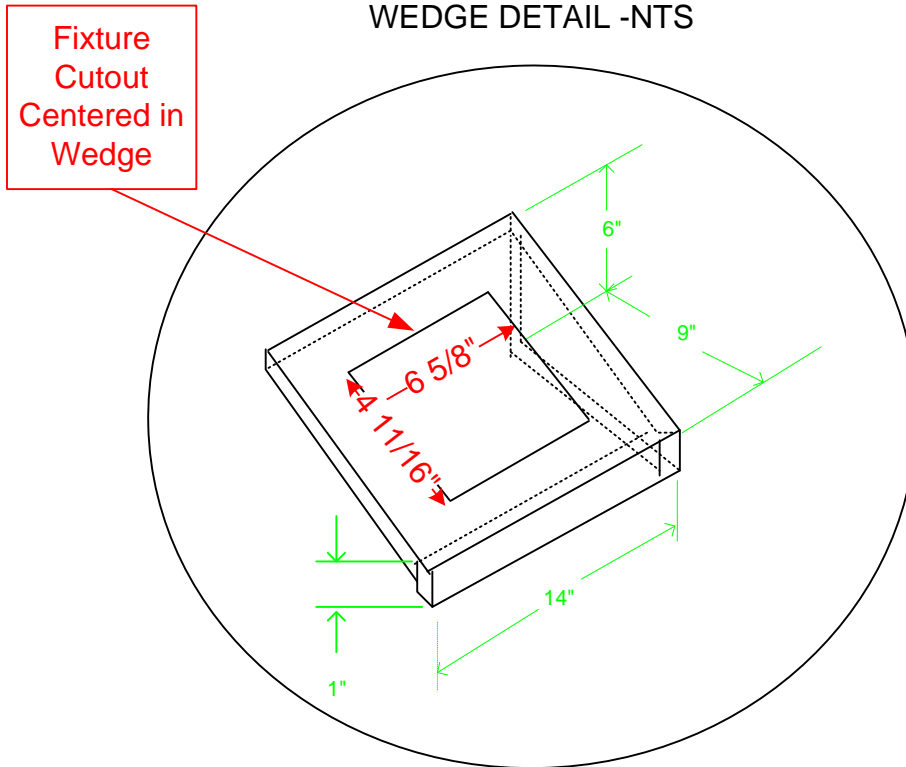
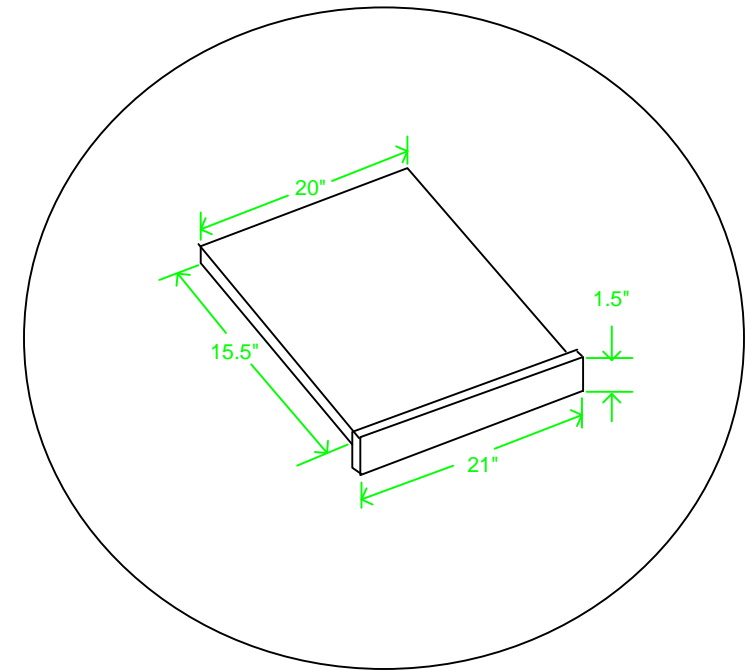


WEDGE DETAIL -NTS



SLIDE OUT SHELF DETAIL




MATERIALS:

- All 3/4" Maple Plywood
- Medium cherry stain with clear finish
- Top flat surface and wedge top/sides to be covered with WILSONART D79-60 HUNTER GREEN laminate
- Rear access door – Hinge hidden
Key lock only – no handle or latch
All Lectrurns to be keyed alike with the following:
Stock Locks C8053-C415A-14A, disc tumbler, cam lock, bright nickel finish
- Sliding shelf hardware to be 20-30 lb. capacity

Colorado State University
Office of Instructional Services

Contact :

Doug Satterfield
Clark A74
Voice: 491-6035
FAX: 491-6989

	Drawing: SMALL CLASSROOM PODIUM	
	File: SMALL_PODIUM3	By: DJ
	REV: 5-24-06	Page: 3 OF 4